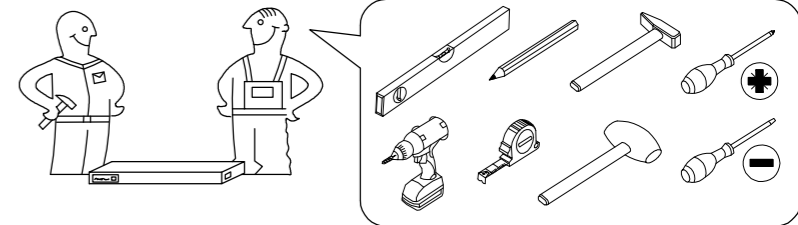
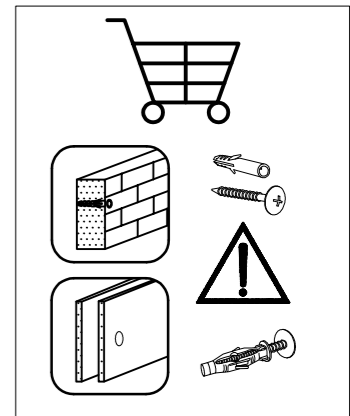
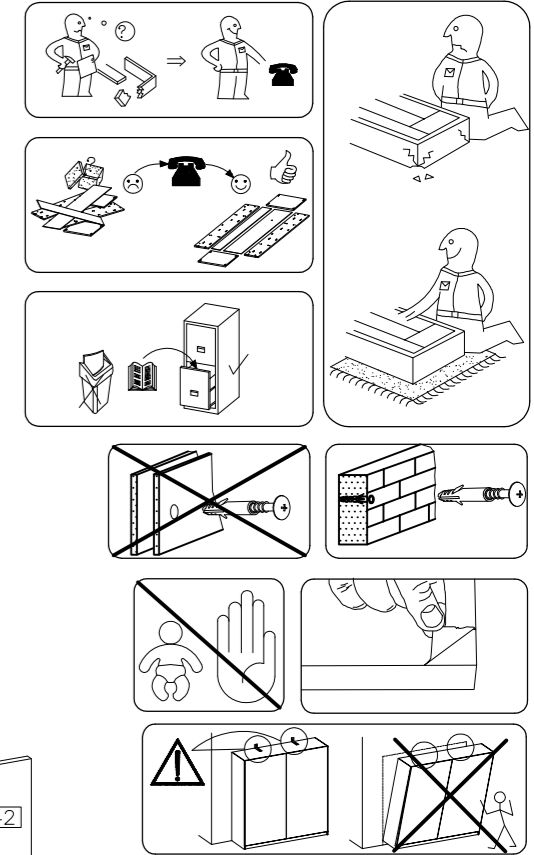
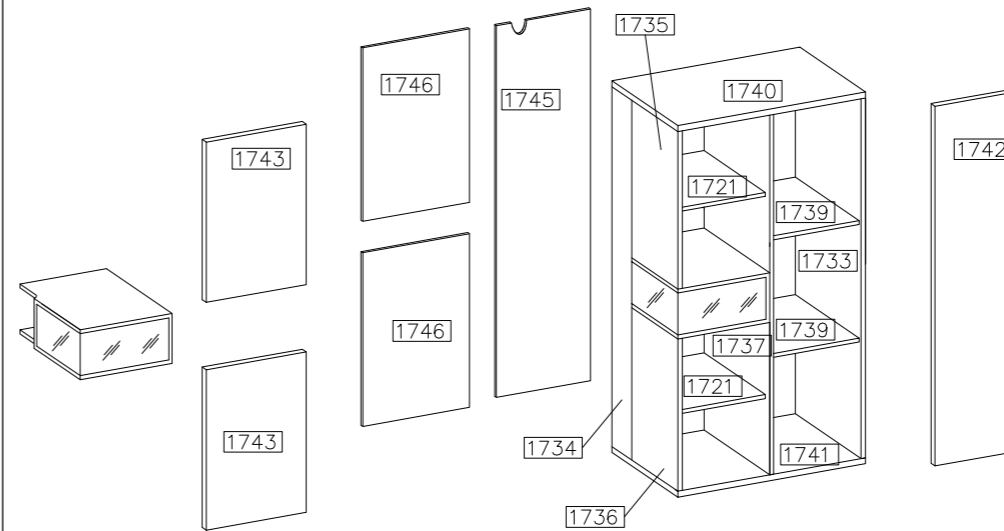
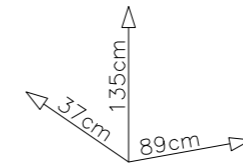
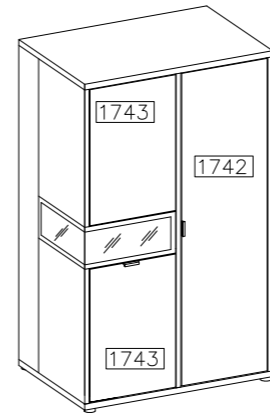


# EVOLUTION

## EV 02a

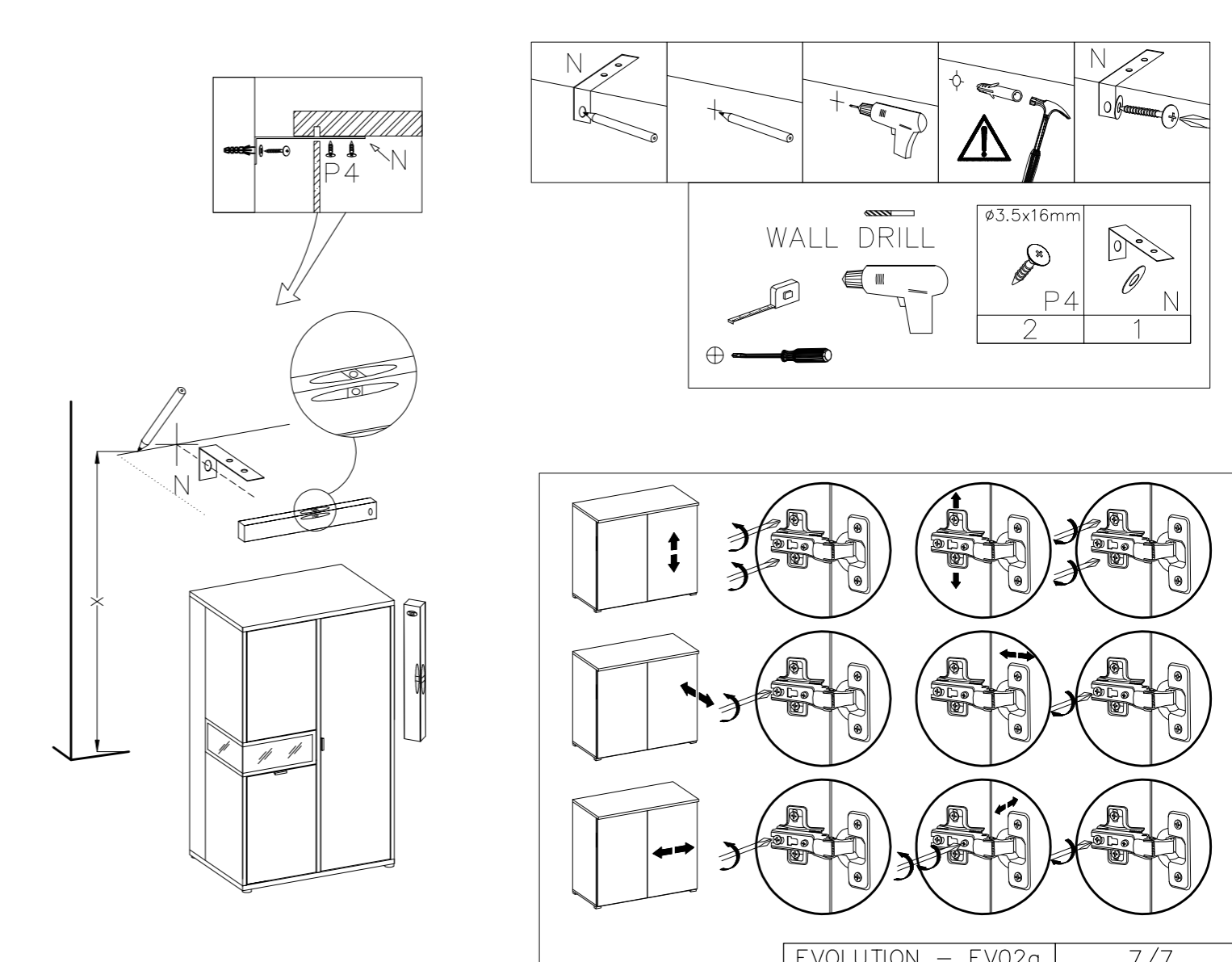
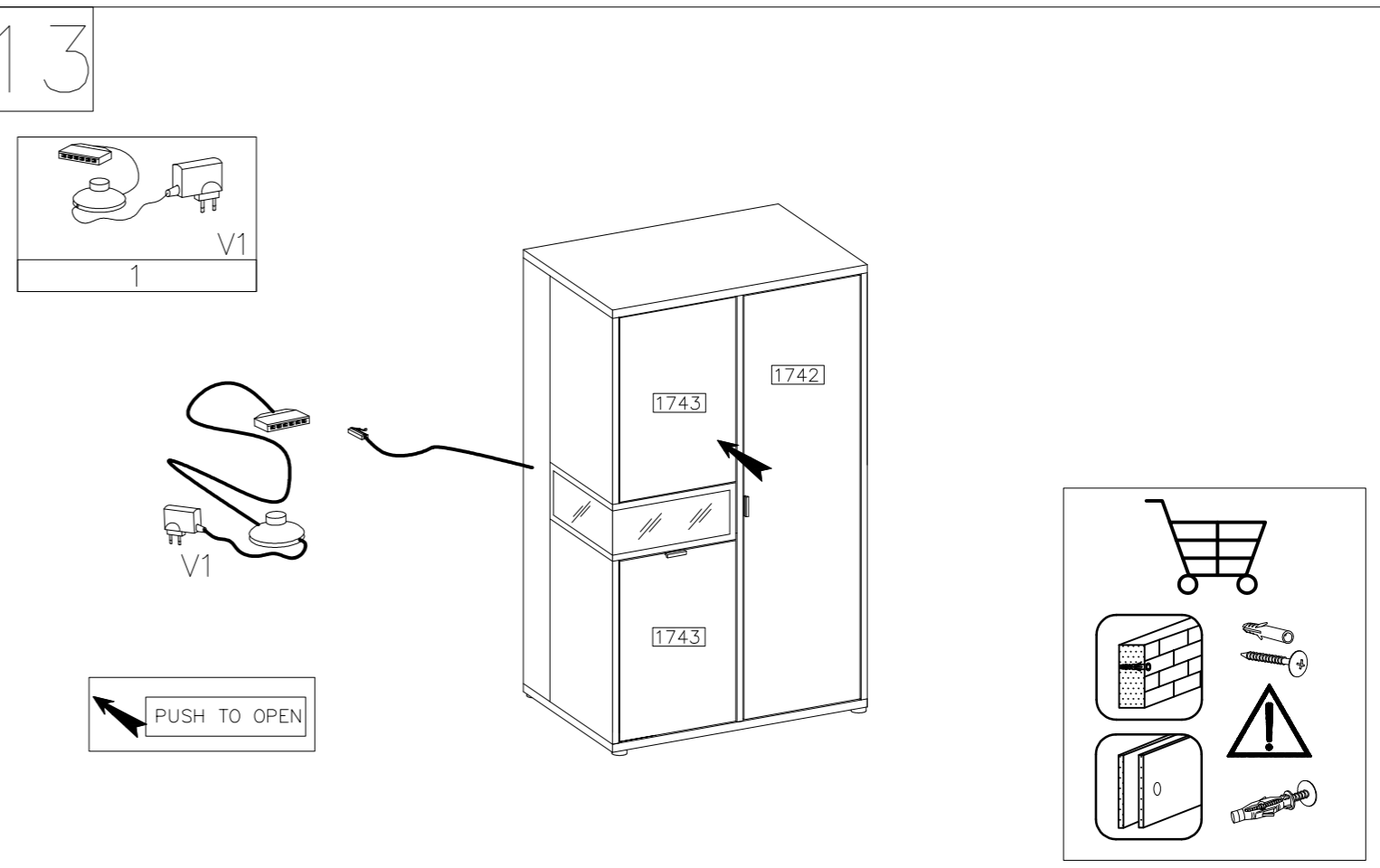
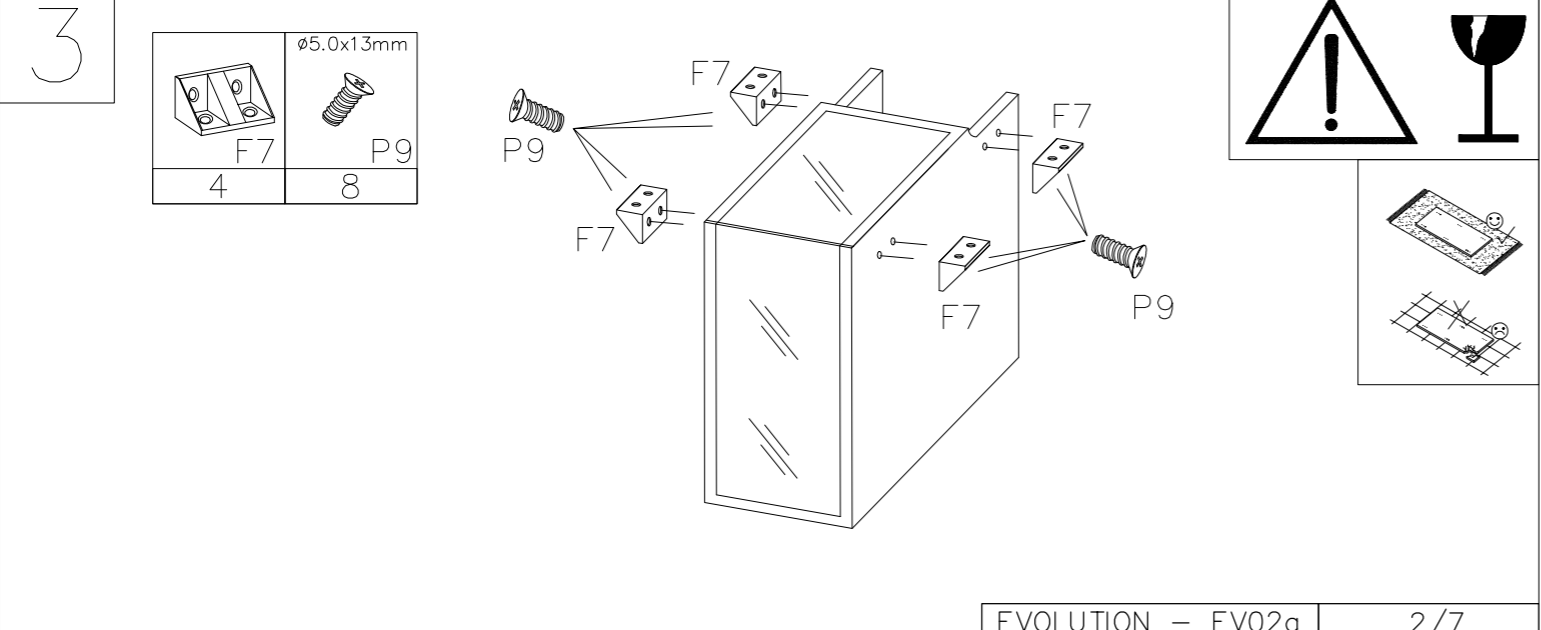
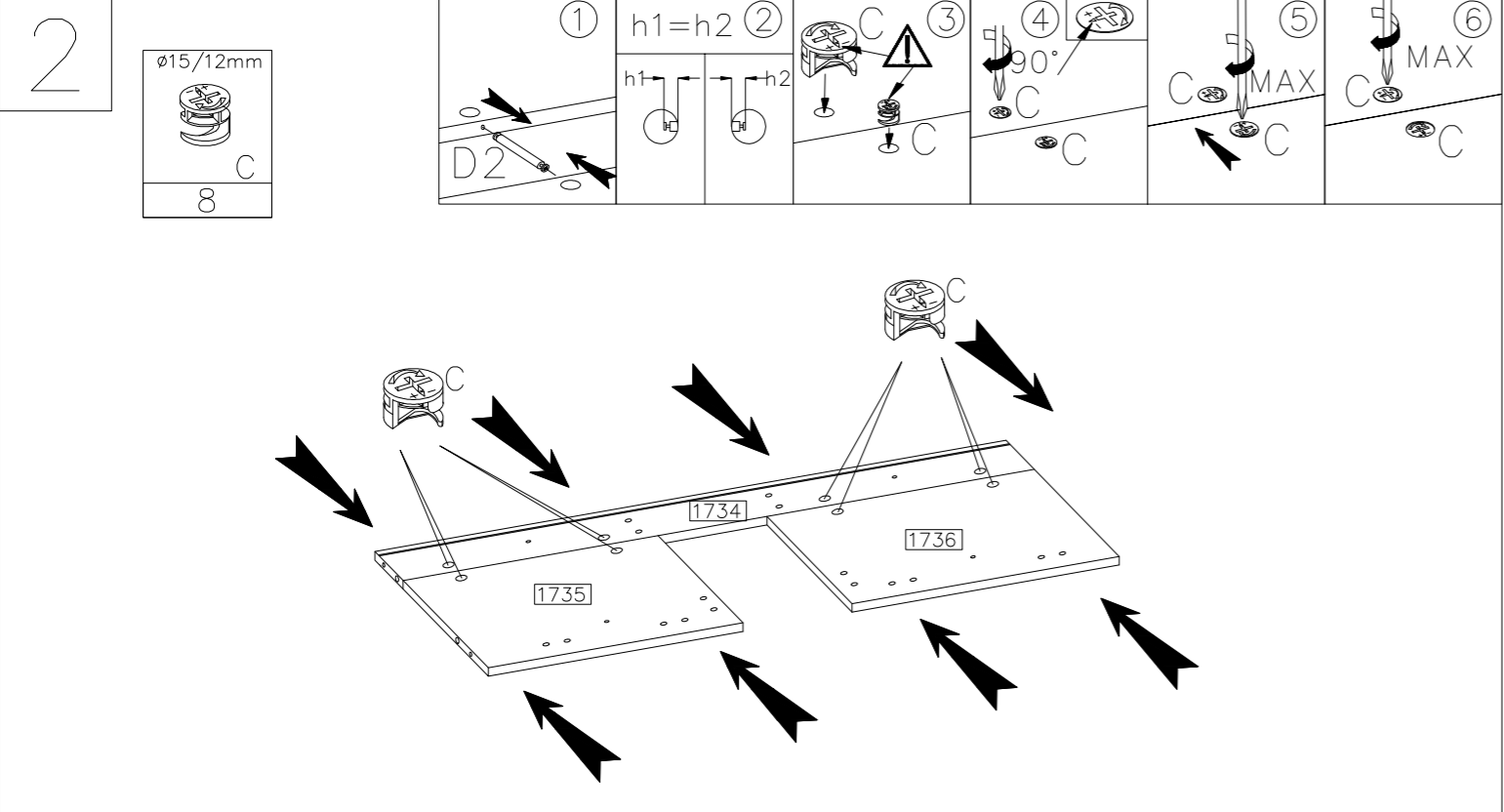
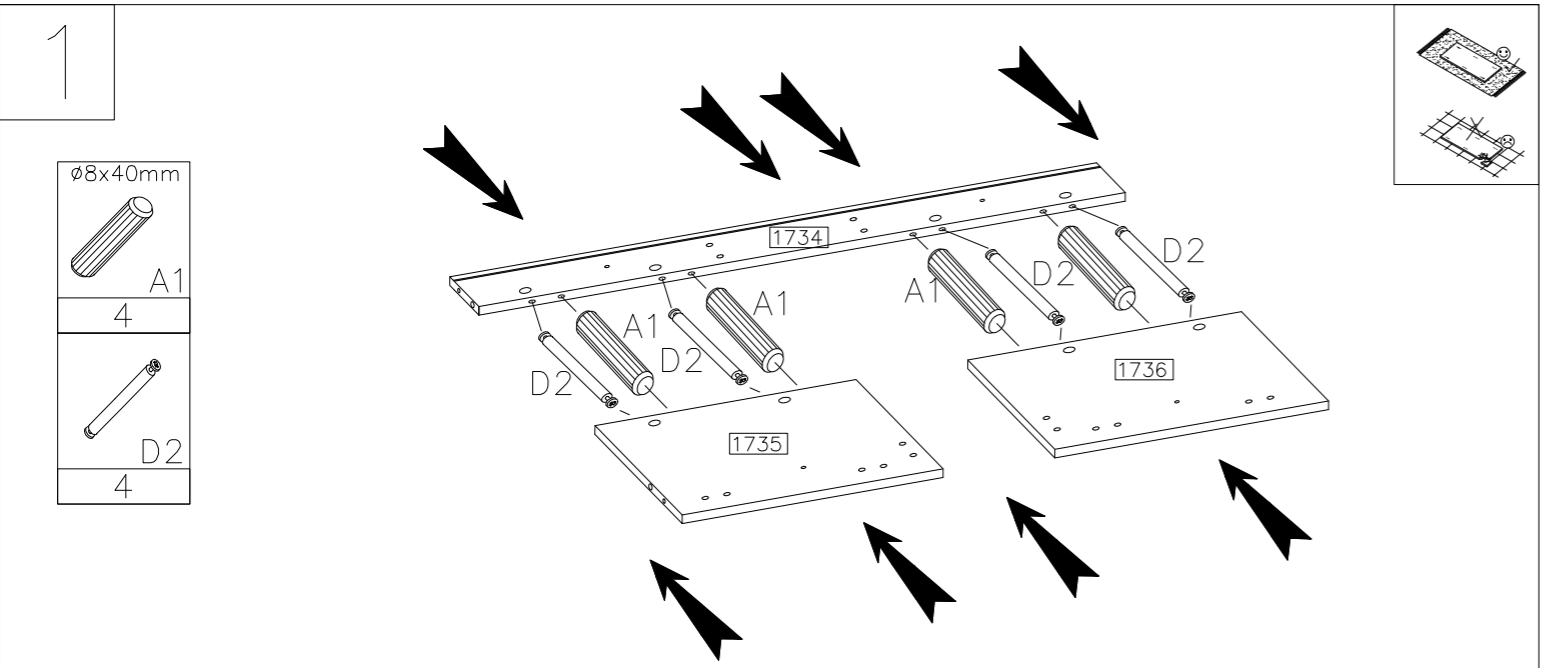


#	ART. NR	L	W	T	Q	Col.No
1	1733	1298	370	16	1	2
2	1734	1298	126	16	1	2
3	1735	549	244	16	1	1
4	1736	549	244	16	1	1
5	1737	1298	350	16	1	2
6	1721	408	330	16	2	1
7	1739	432	330	16	2	1
8	1740	892	371	16	1	1
9	1741	892	371	16	1	1
10	1742	427	1290	16	1	2
11	1743	404	519	16	2	2
12	1745	449	1313	2,5	1	2
13	1746	423	572	2,5	2	2



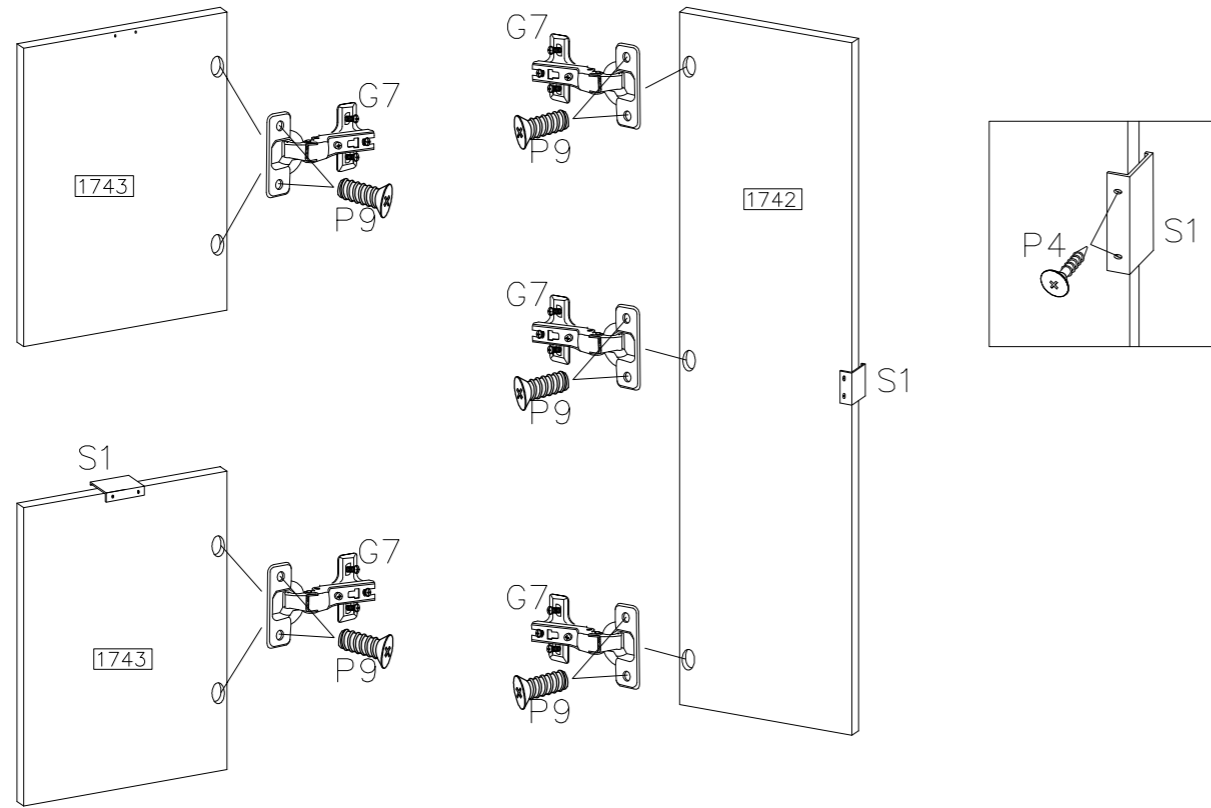
$\varnothing 8 \times 30 \text{mm}$ A	$\varnothing 8 \times 40 \text{mm}$ A1	$\varnothing 8 \times 40 \text{mm}$ B	$\varnothing 15/12 \text{mm}$ C	$\varnothing 3.5 \times 16 \text{mm}$ D1	$\varnothing 3.5 \times 16 \text{mm}$ D2	$\varnothing 3.5 \times 16 \text{mm}$ E	$\varnothing 3.5 \times 16 \text{mm}$ E1	$\varnothing 3.0 \times 16 \text{mm}$ P1	$\varnothing 35 / \text{KR}-15$ G7	$\varnothing 35 / \text{KR}-15$ L
16	4	10	14	6	4	14	10	10	7	12
$4 \text{mm}$ O	$\varnothing 5.0 \times 13 \text{mm}$ P9	$4 \text{mm}$ S1	$4 \text{mm}$ J4	$\varnothing 3.5 \times 16 \text{mm}$ P4	$4 \text{mm}$ N	$4 \text{mm}$ F8				
1	30	2	18	6	1	10				
$\varnothing 4.0 \times 25 \text{mm}$ P12	$\varnothing 4.0 \times 25 \text{mm}$ F4	$\varnothing 4.0 \times 25 \text{mm}$ J1	$\varnothing 4.0 \times 25 \text{mm}$ F7	$\varnothing 4.0 \times 25 \text{mm}$ V1						
5	5	1	4	1						



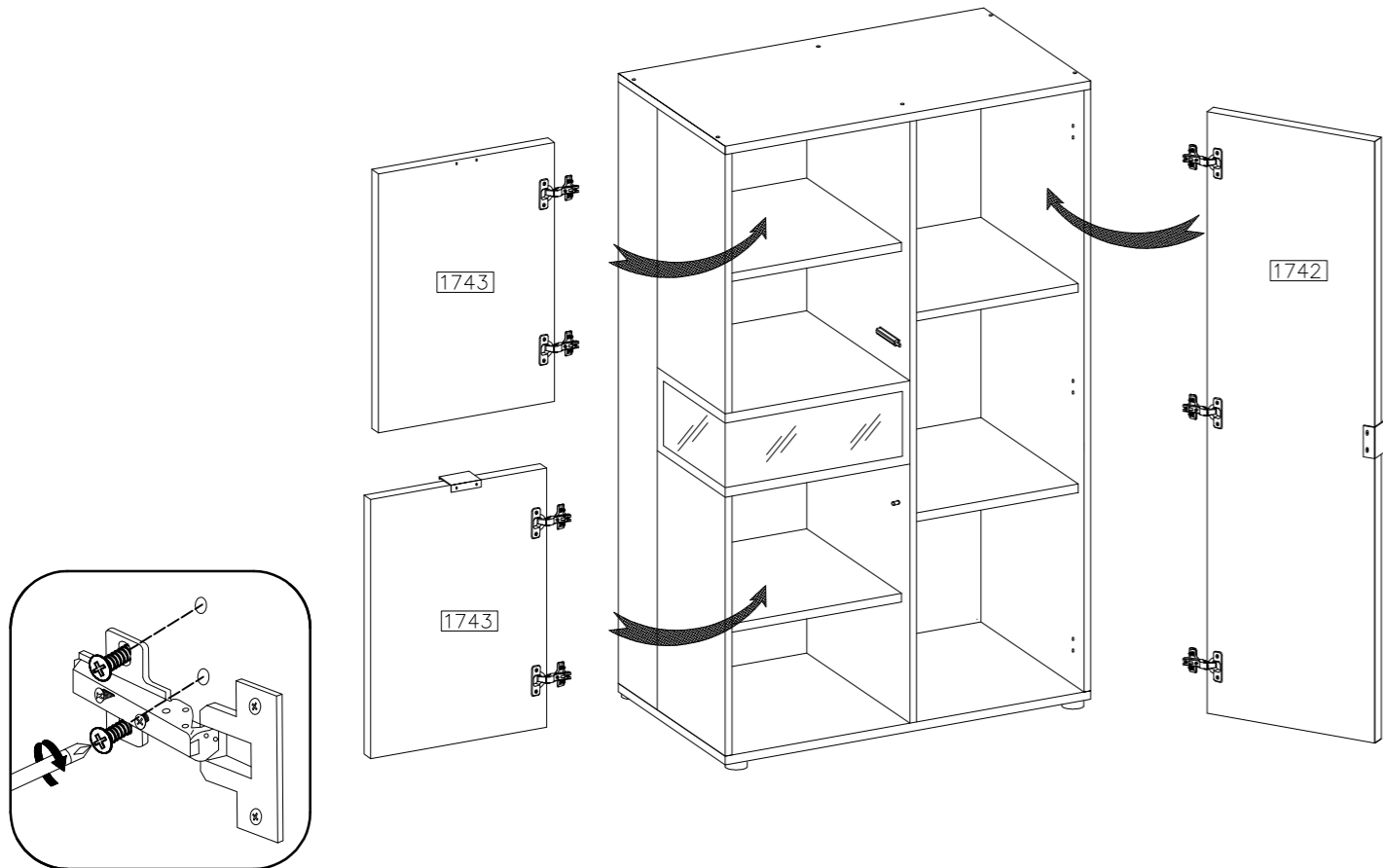


11

- |    |
|----|
|    |
| G7 |
| 7  |
- |          |
|----------|
|          |
| S1       |
| 2        |
| 5.0x13mm |
- |           |
|-----------|
|           |
| P9        |
| 14        |
| ø3.5x16mm |
- |    |
|----|
|    |
| P4 |
| 4  |

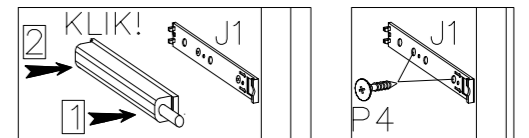
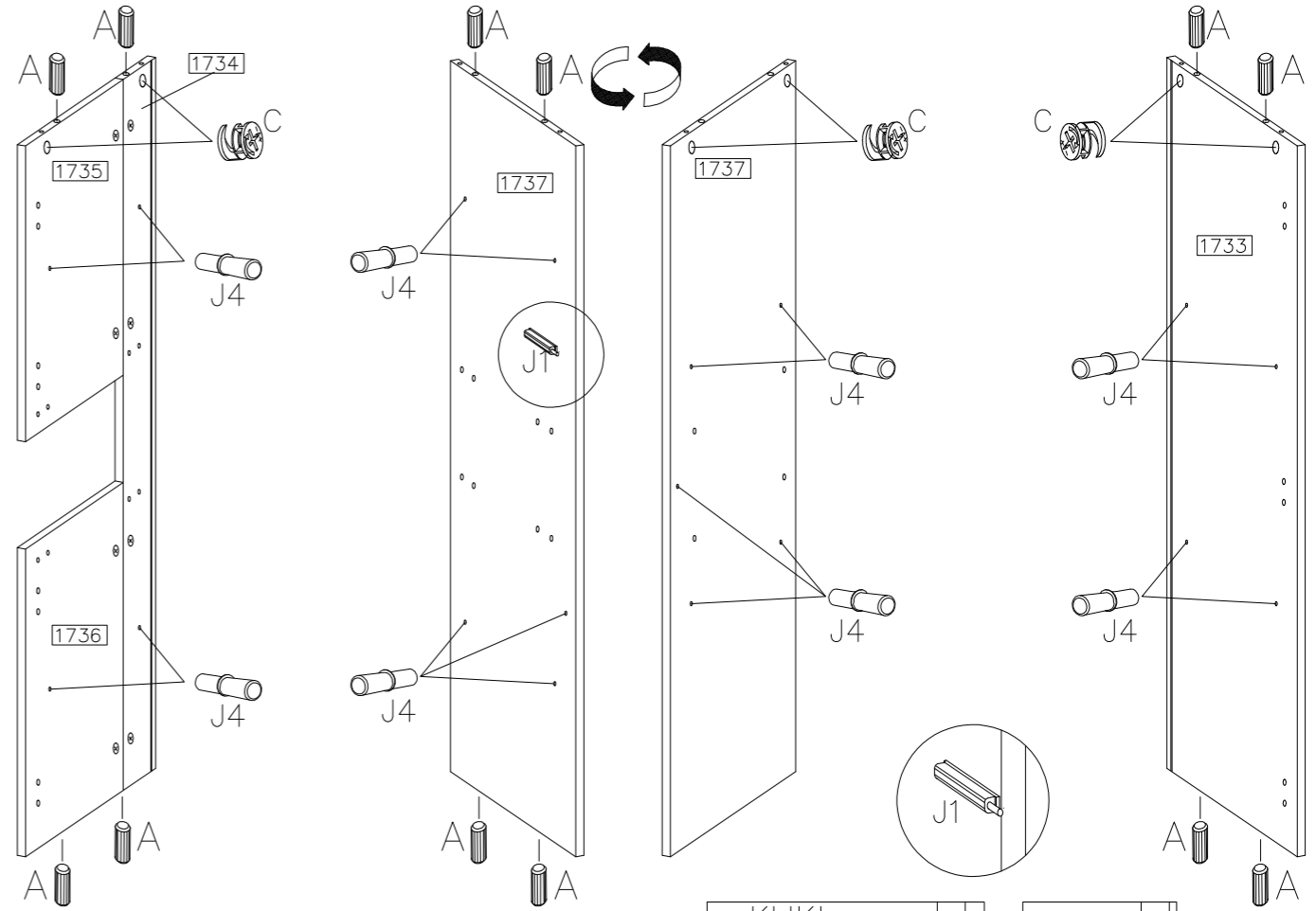


12



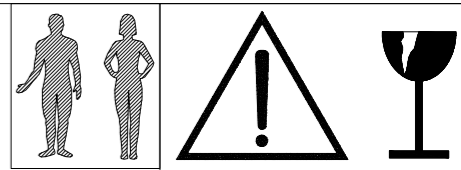
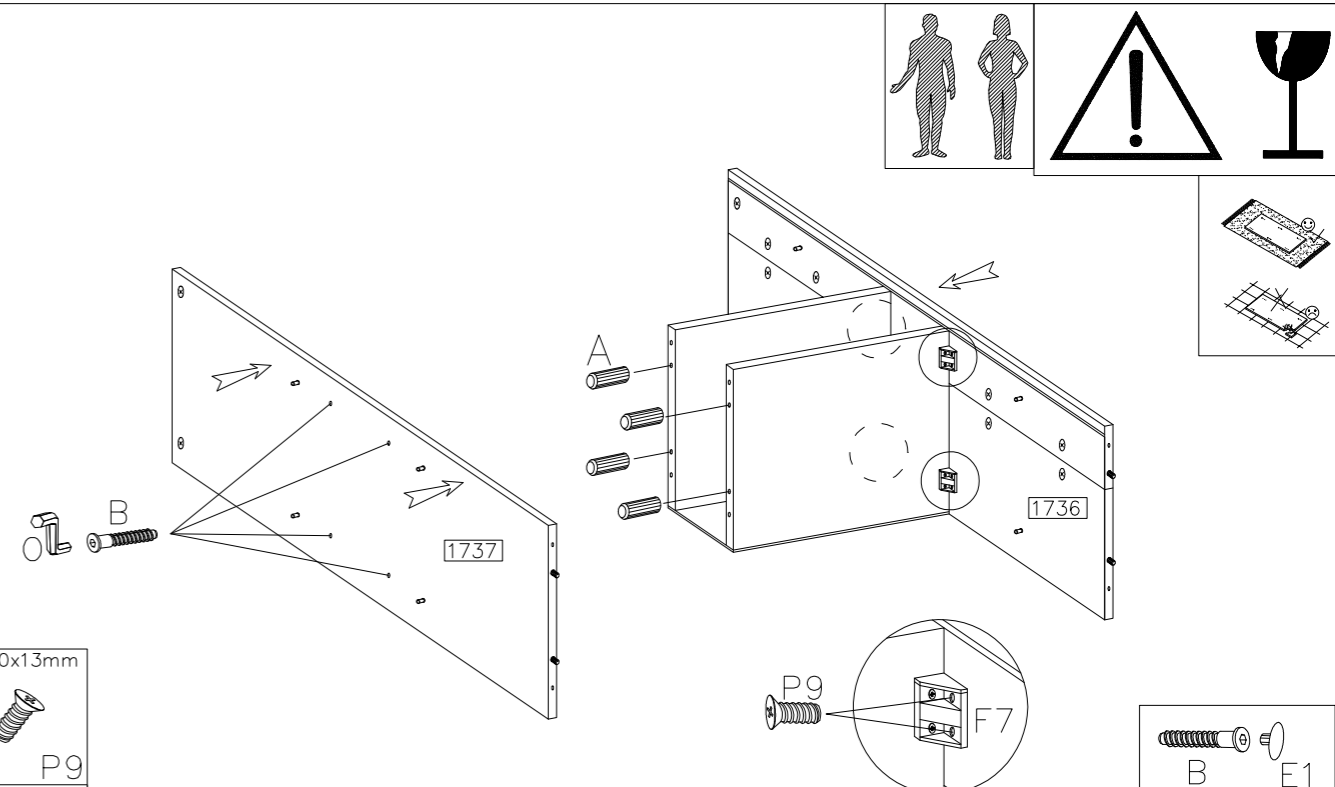
4

- |    |    |    |    |   |
|----|----|----|----|---|
|    |    |    |    |   |
| A  | J4 | J1 | P4 | C |
| 12 | 18 | 1  | 2  | 6 |



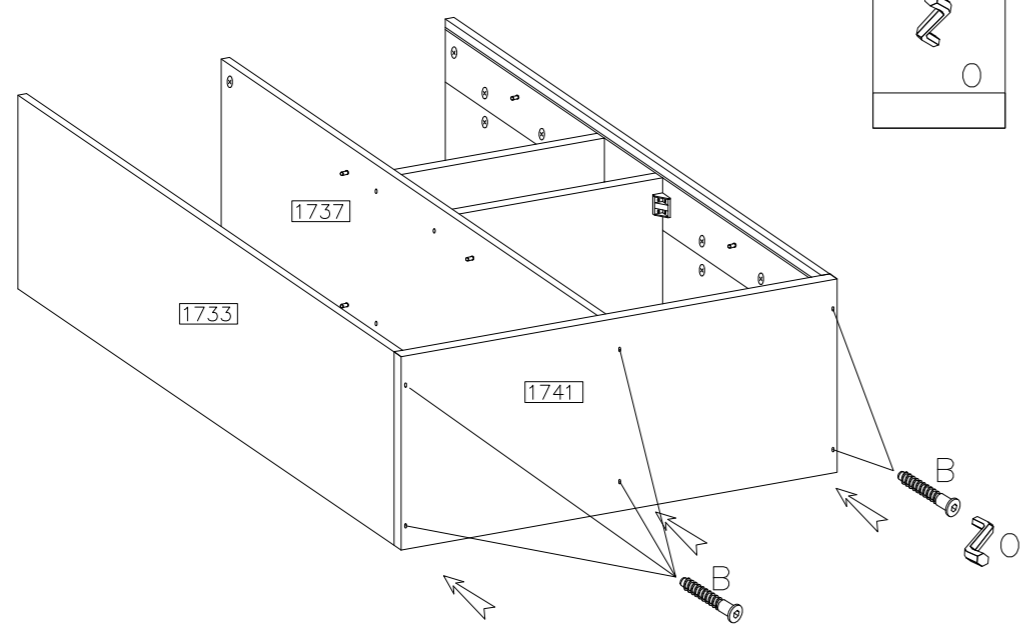
5

- |     |
|-----|
|     |
| B   |
| 4   |
| 4mm |
- |         |
|---------|
|         |
| O       |
| 1       |
| ø8x30mm |
- |   |
|---|
|   |
| A |
| 4 |
- |    |    |
|----|----|
|    |    |
| E1 | P9 |
| 6  | 8  |



6

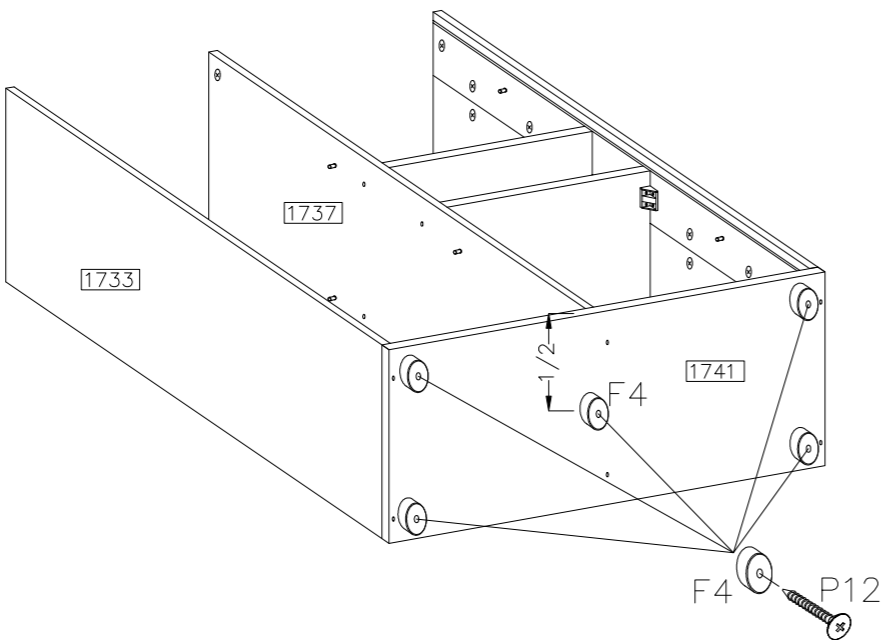
- B
- 6
- E1
- 6



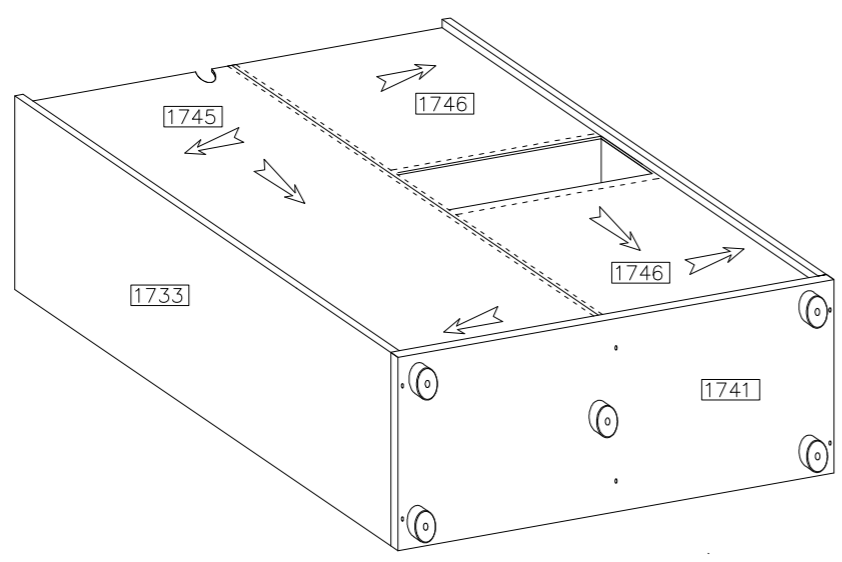
- B
- E1

7

- ∅4.0x25mm
- P12
- 5
- F4
- 5

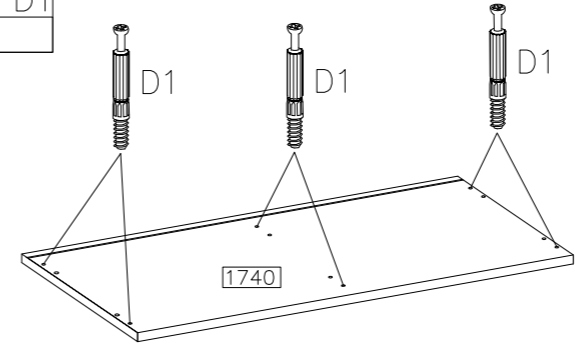
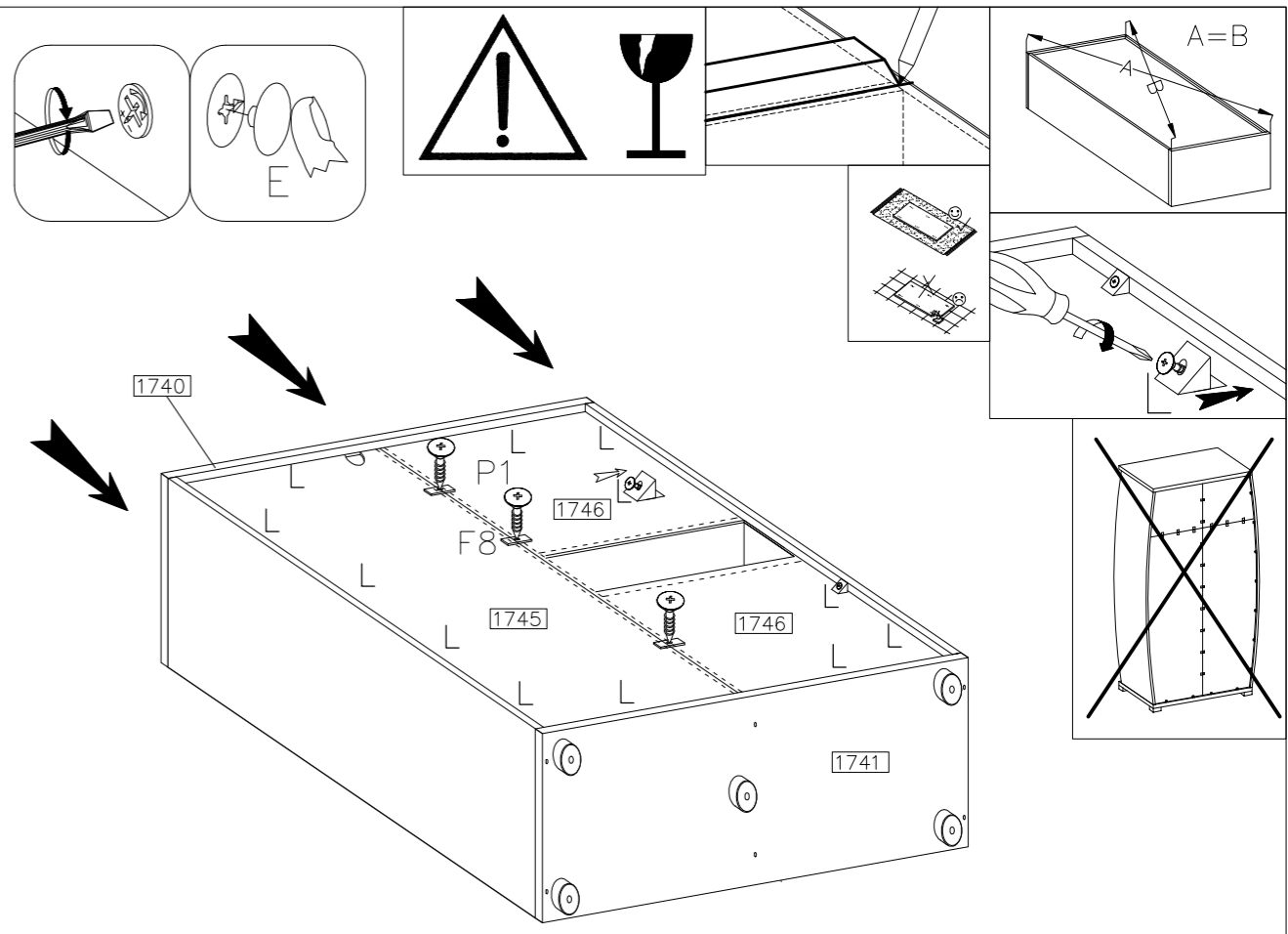


8



9

- ∅3.0x16mm
- P1
- 10
- L
- 12
- F8
- 10
- E
- 6
- D1
- 6



10

